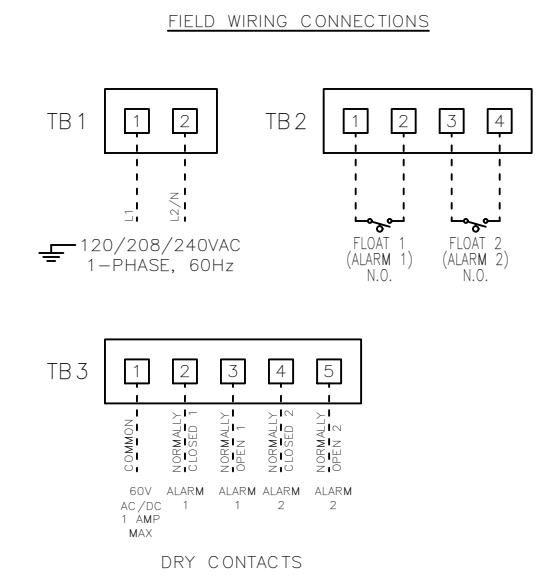
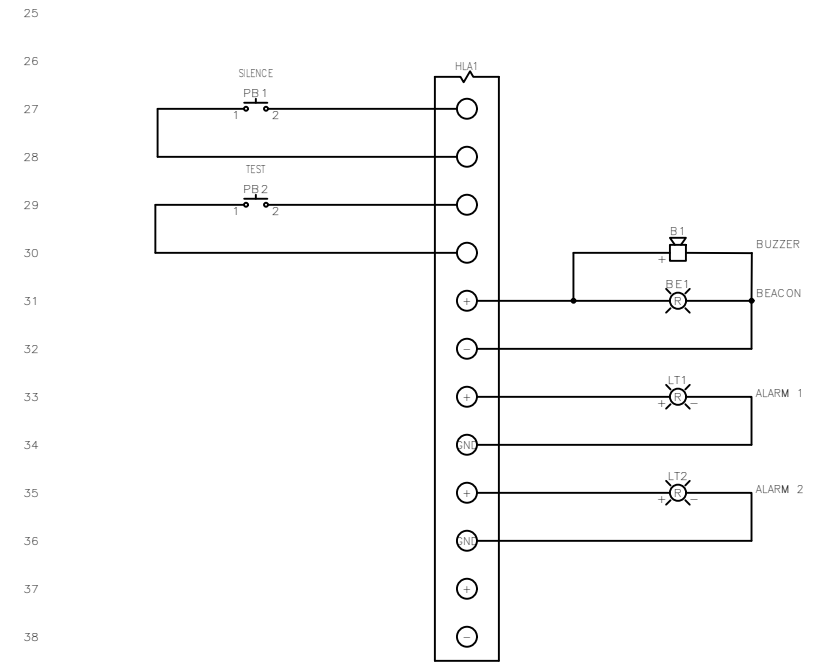
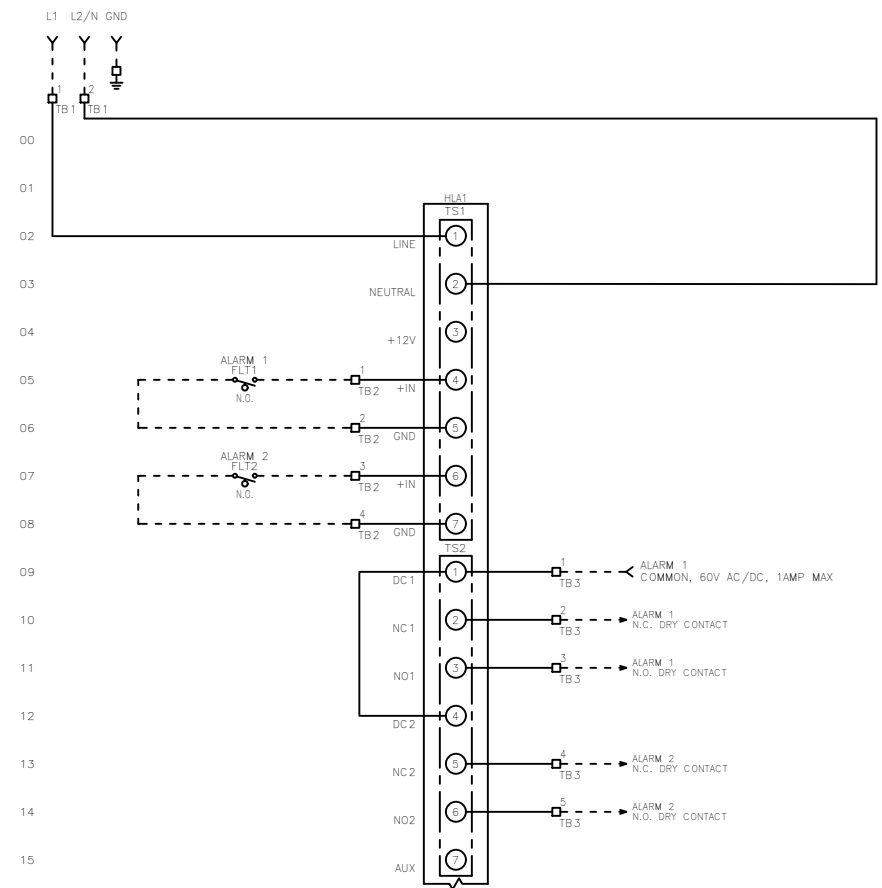


FNAME: HLA-4X-2

REVDATE: 1020

REVISIONS				
ZONE	REV	DESCRIPTION	DATE	APPROVED
	A	TERMINAL STRIP LABEL CHANGES	8/22/17	
	B	UPDATED CONTENT	3/12/18	
	C	RELOCATED AH1 & LT1 TO HLA1	5/8/18	
	D	REMOVED TB1 & UPDATED SUPPLY VOLTAGE	11/11/19	AO
	E	UPDATED FIELD WIRING & BUZZER/BEACON	10/20/20	JED



----- DASHED LINE INDICATES FIELD WIRING.

USE COPPER CONDUCTORS ONLY.
 TEMPERATURE RATING OF CONDUCTORS IS TO BE:
 60°C (140°F) FOR UNDER 100A.
 75°C (167°F) FOR OVER 100A.
 BRANCH CIRCUIT PROTECTION SHALL BE PROVIDED BY THE INSTALLER. MUST BE SIZED ACCORDING TO PUMP/MOTOR MANUFACTURING SPECIFICATIONS.
 VERIFY CORRECT OPERATION OF CONTROL PANEL AFTER INSTALLATION IS COMPLETE.

DRAWN BY: MM	DATE: 8/14/17	SEEWATER <i>inc.</i>			
APPROVED BY: KM	DATE: 8/14/27				
THIS DRAWING CONTAINS PROPRIETARY INFORMATION AND SHALL NOT BE USED OR DISCLOSED WITHOUT PRIOR WRITTEN AUTHORIZATION.		TITLE: HLA-4X-2 CONTROL SCHEMATIC			
		SIZE B	DWG NO. 1624	PART NO. HLA-4X-2	REV E
		SCALE NONE		SHEET 1 OF 1	